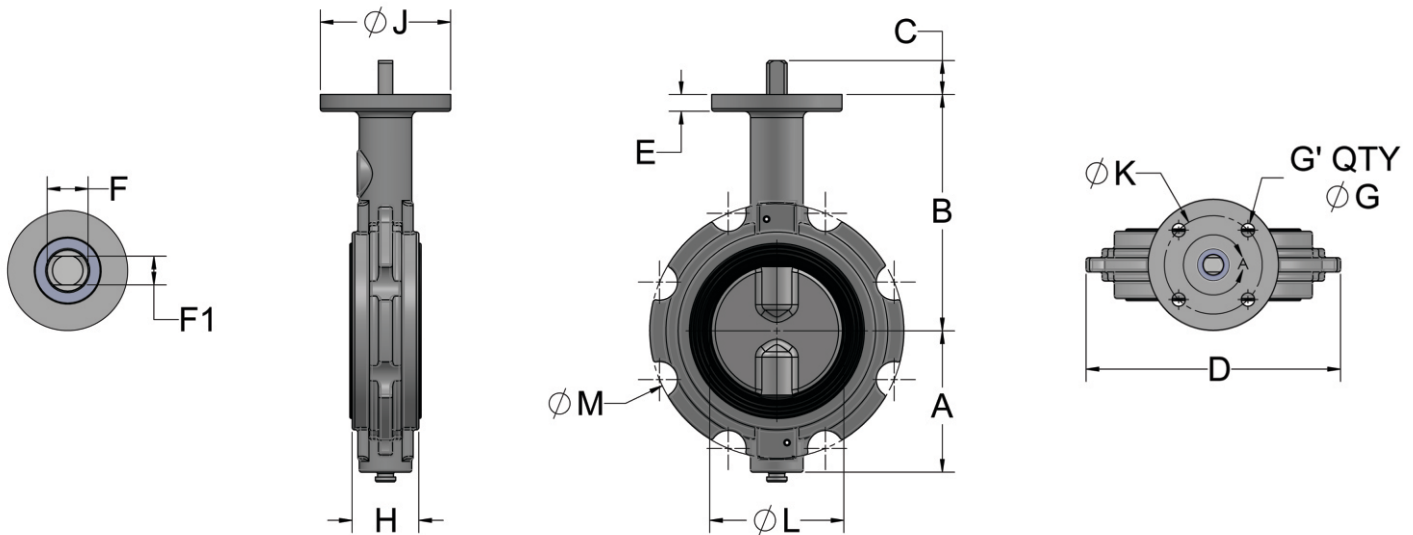


GX SERIES BUTTERFLY VALVE DIMENSIONS

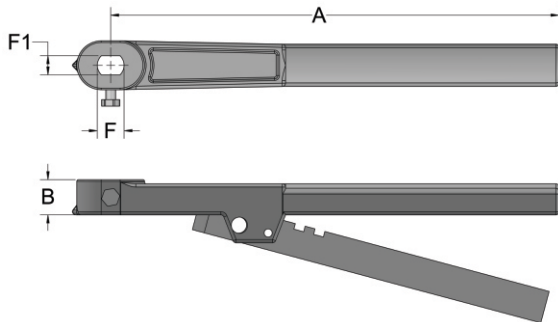


VALVE SIZE	A	B	C	D	E	F	F1	G'	G	H	J	K	L	M
2"	2.78	5.80	1.08	5.09	.54	.56	.44	4	.41	1.69	4	3	2.21	4.75
2.5"	3.03	6.30	1.06	5.73	.54	.56	.44	4	.41	1.81	4	3	2.67	5.50
3"	3.34	6.50	1.06	6.20	.54	.56	.44	4	.41	1.80	4	3	3.17	6.00
4"	4.32	7.25	1.16	7.78	.54	.64	.44	4	.41	2.06	4	3	4.18	7.50
5"	5.40	7.58	1.10	8.83	.54	.89	.44	4	.41	2.17	4	3	5.16	8.50
6"	5.60	8.38	1.06	9.38	.54	1.00	.44	4	.41	2.18	4	3	6.04	9.50
8"	7.65	9.63	1.63	11.90	.75	1.13	.75	4	.53	2.37	6	5	8.06	11.75
10"	9.03	11.05	1.63	14.69	.75	1.13	.75	4	.53	2.68	6	5	10.05	14.25
12"	10.30	12.50	1.63	17.19	.75	1.13	.75	4	.53	3.02	6	5	12.07	17.00

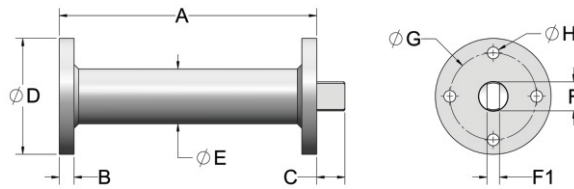
Material Specifications GX Series

Part	Material
Body	Cast Iron
Seat	Phenolic Back Cartridge w/Buna-N Seat
Disc 2"-24"	Stainless-Steel
Disc 2"-24"	Ductile Iron
Stem Top/Bottom	Stainless-Steel
Spring Pin	Stainless-Steel
Top/Bottom Bearing	Nylon
O-Rings	Buna-N

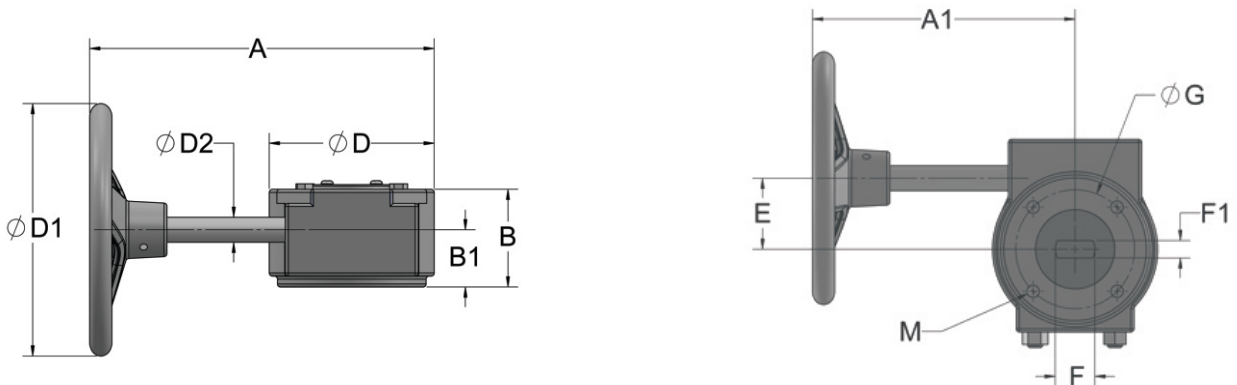
GX SERIES BUTTERFLY VALVE DIMENSIONS



Valve Size	A	B	F	F1
2"-3"	9	.86	.56	.44
4"	11	.86	.64	.44
5"	11	.86	.88	.44
6"	11	.86	1.00	.44
8"-11"	15	1.15	1.13	.75



Valve Size	Extension Length A	B	C	D	E	F	F1	G	H
2" - 6"	24,36,48,60,72	.54	1.00	4	1.88	1.00	.44	3	.41
8" - 12"	24,36,48,60,72	.75	1.50	6	2.38	1.13	.75	5	.53



Valve Size	A	A1	B	B1	D	D1	D2	E	F	F1	G	M
2" - 3"	9.75	7.69	2.44	1.42	4.13	5.75	.63	1.88	1.00	.44	3	3/8"-16
4" - 6"	9.25	7.19	2.44	1.42	4.13	7.5	.63	1.88	1.00	.44	3	3/8"-16
8" - 12"	12.75	9.70	2.82	1.44	6.10	11.5	.75	2.63	1.13	.75	5	1/2"-13