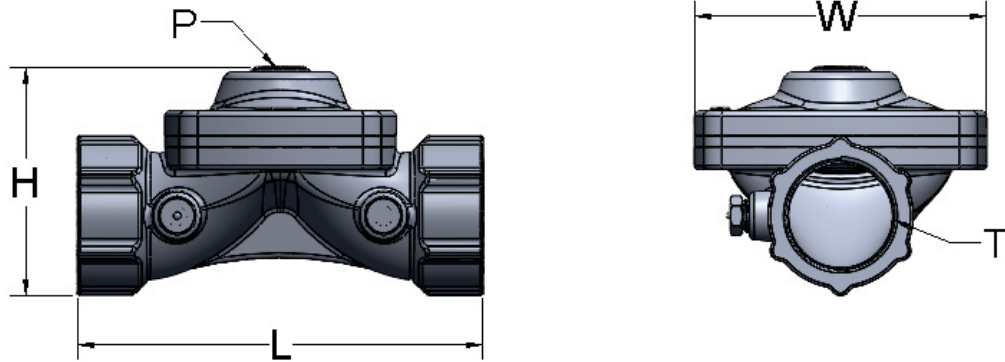
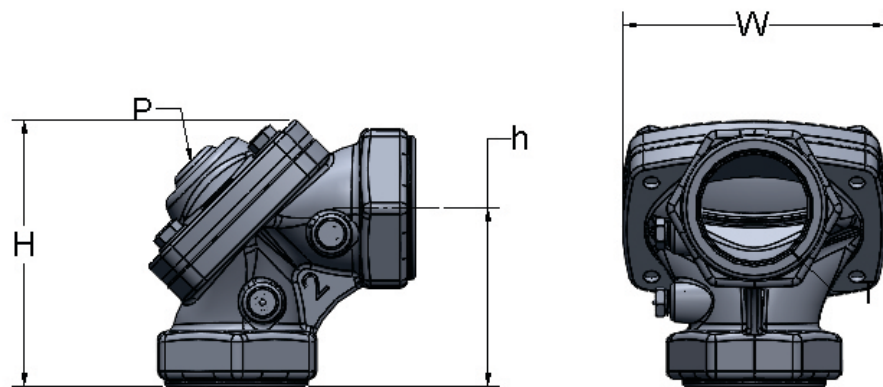


SMV DIMENSIONS

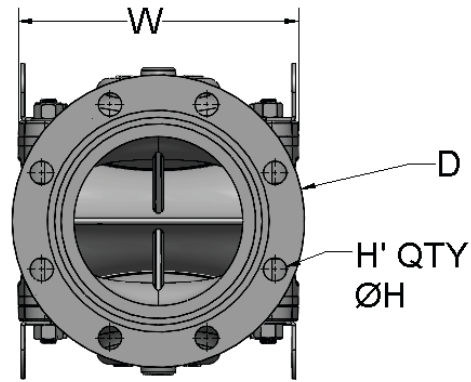
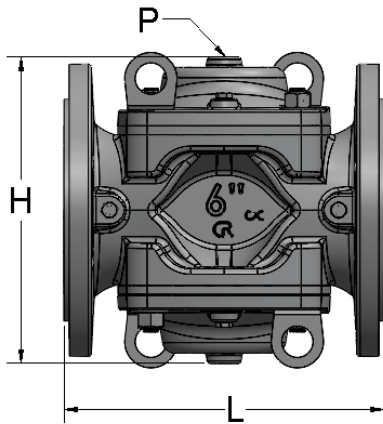
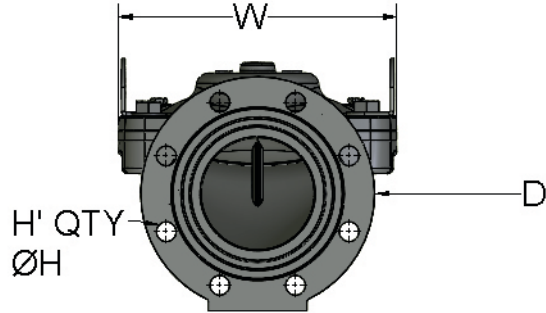
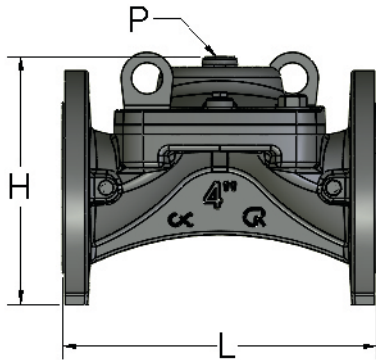


Part #	Length	Height	Bonnet Width	Thread Size	Port Size
	L	H	W	T	P
SMV75	5.1	2.7	4.0	3/4" NPT	1/4" NPT
SMV1	5.1	2.7	4.0	1" NPT	1/4" NPT
SMV1.25	6.5	3.7	4.7	1-1/4" NPT	1/4" NPT
SMV1.5	6.5	3.7	4.7	1-1/2" NPT	1/4" NPT
SMV2	7.3	4.2	5.4	2" NPT	1/4" NPT



Part #	Overall Height	Center Height	Bonnet Width	Thread Size	Port Size
	H	h	W	T	P
SMV902	5.6	3.6	5.4	2" NPT	1/4" NPT

SMV DIMENSIONS



Part #	Length	Height	Bonnet Width	Flange Diameter	Bolt Qty	Bolt Hole Dia	Port Size
	L	H	W	D	H'	ØH	P
SMV3	11.7	8.4	10.6	7.8	4	3/4"	1/4" NPT
SMV4	11.9	9.4	10.6	9.0	8	3/4"	1/4" NPT
SMV6	12.1	11.8	10.6	11.0	8	7/8"	1/4" NPT
SMV8	14.0	15.7	12.0	13.5	8	7/8"	1/4" NPT